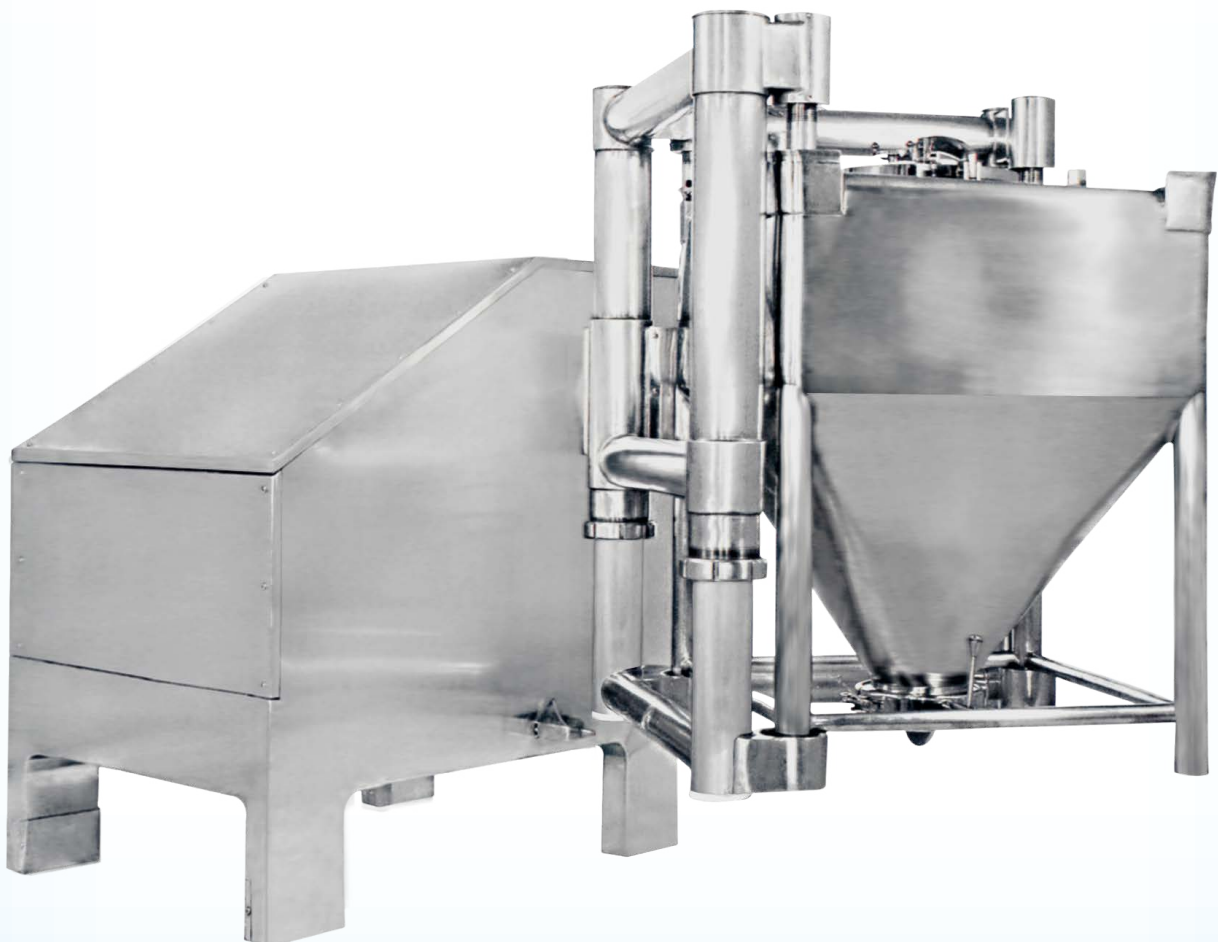


CONTA BLENDER

Developed by Tapasya's Design Team, the Conta Blender represents a major advance that enables dust free transfer of powders and granules from Drying to Compression / Filling equipments with reduced material handling. The unique design ensures rotation in a diagonal axis and in an eccentric plane resulting in a homogeneous blend within a short time. It finds varied applications across multiple industries.

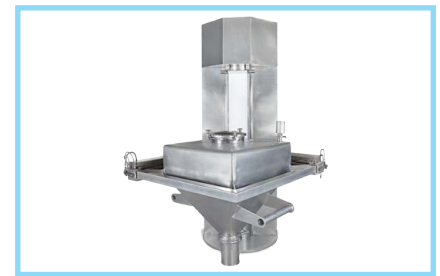


Features:

- Designed for dust free blending and transfer of powders and granules
- 0° stopping for easy docking and undocking of the bin
- Fencing around the cage with an entry point for the bin on detachable trolley
- Limit switch on entry door to prevent accidental operation of the cage
- Flexibility of accepting variable bin sizes providing wide range of batch volumes
- cGMP construction with cladded polished S. S. Sheets
- Containers of Varying size for varying batch size
- Built-in Butterfly valve (150 mm dia) at the bottom for discharge
- Suitable leak proof vent on top



Square Cross Section Conical Bottom Bins



Subdividing Discharge System

Benefits For You:

- Single step transfer from Drying to Compression / Filling equipments
- Superior mixing efficiency
- Reduced material handling
- Highly effective for low volume active blending with as low as 1% active
- Processing of different sizes of production batches with scale up data
- Dust-free operation
- No risk of segregation on extended processing
- No Cleaning down time as the product container is mobile



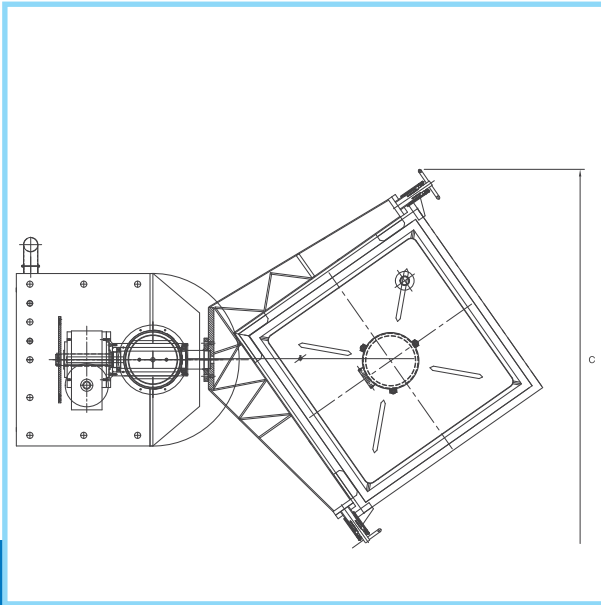
Holding Arm



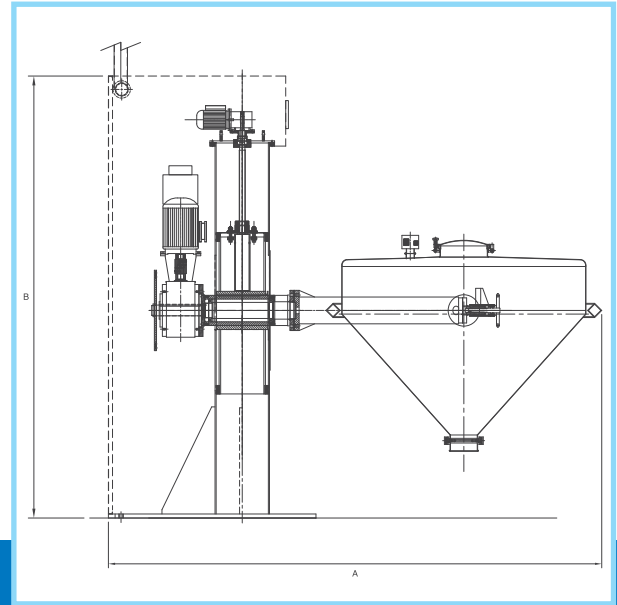
Interchangeable Bin Capacity



Eccentric Bin Holding



Plan view



Elevation view

Technical Specifications:

MODEL	GROSS CAPACITY (in Liters)	WORKING CAPACITY (in Liters)	OVERALL DIMENSIONS (in mm)			MOTOR HP	APPROX. WEIGHT (in kg)
			L	B	H		
TAP-CB-75	75	53	1000	2000	1500	2	700
TAP-CB-150	100	70	1800	2000	1500	3	800
TAP-CB-300	300	210	1800	2800	2000	3	1000
TAP-CB-500	500	350	1800	3000	2200	5	1200
TAP-CB-750	750	525	1800	3200	2200	5	1500
TAP-CB-1000	1000	700	2000	3500	2400	10	1800
TAP-CB-1500	1500	1050	2300	4000	3400	10	2000
TAP-CB-2000	2000	1400	2500	4300	3600	15	2200

Customised sizes available on request
Laboratory model design available

Conta Blender used in Industries:

- Pharmaceutical
- Nutraceutical
- Food
- Chemical
- Cosmetics