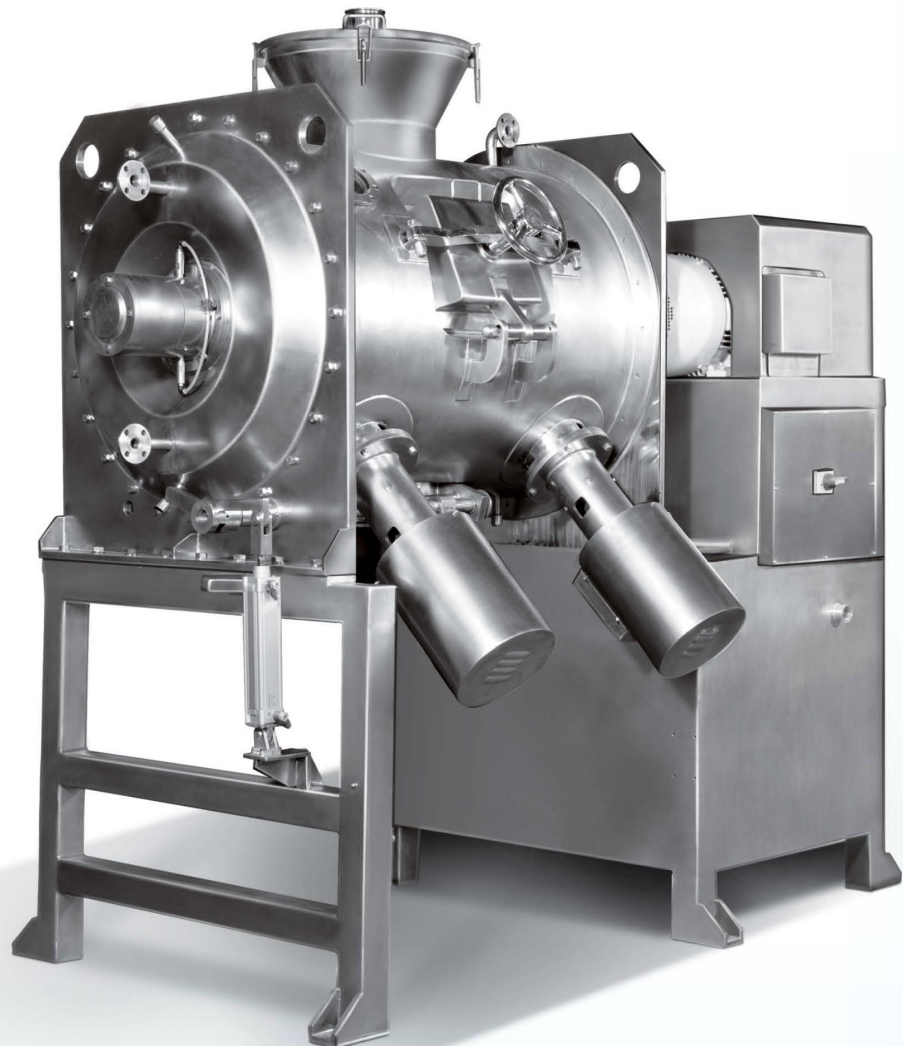


PLOUGH SHEAR MIXER

Tapasya's Plough Shear Mixer is designed for ordered heavy duty mixing of both Dry and Wet materials. The special design of shovels with broad ends and pointed tips facilitates good penetration and shuffling of the mass within. Penetration followed by agitation of the mass in quick succession of the specially designed blades results in homogeneity of powder mass both in dry and wet stages. Appropriate dough formation is reached in later process. Centrally mounted chopper will then operate to obtain wet granules of uniform size. Mixed homogeneous mass can be easily discharged from bottom of the mixing drum which is provided with a flush fit discharge port.



Features:

- Batch size based on 70% of blender volume
- Cross Contamination is completely eliminated by mounting
- Bearings on lanterns out of mixing zone
- Removable bolt arrangement of Plough Shovels providing easy accessibility to all inside parts of the mixer
- Feeding through a charging port mounted on top of the mixer
- Inspection Doors with safety interlocks
- Reduced material handling due to bottom discharge facility of processed materials
- Choppers provision as an optional feature
- Fully welded plough shovels can also be provided
- Lance type injectors for liquid spraying



Plough Blade



Pneumatic Bottom Discharge



Ergonomically Designed Manhole

Benefits For You:

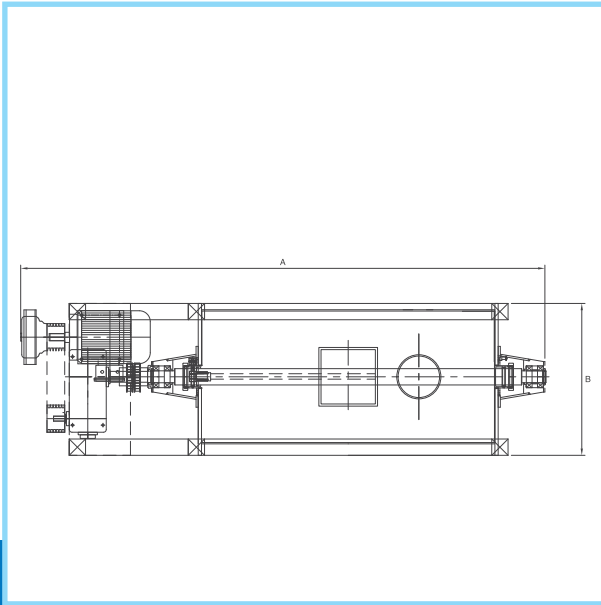
- Homogenised blending for dry and wet material
- Capacity custom made to your requirements
- Specially designed to eliminate cross contamination & for easy discharge



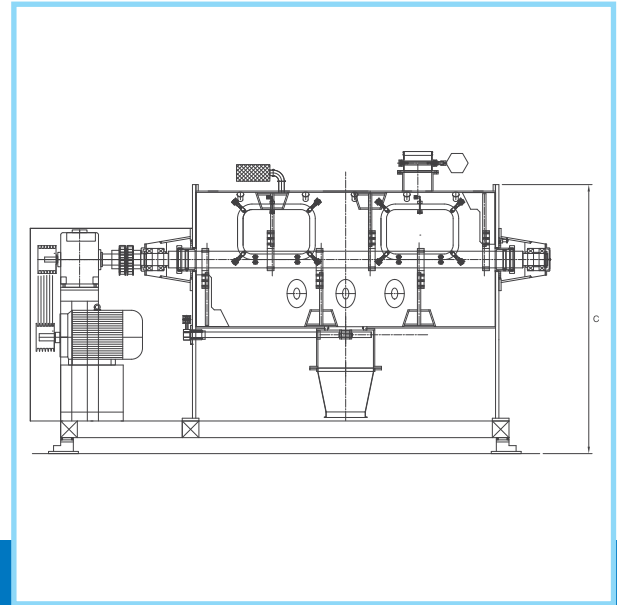
Strategically placed Chopper



Visual Inspection Port



Plan view



Elevation view

Technical Specifications:

MODEL	GROSS CAPACITY (in Liters)	WORKING CAPACITY (in Liters)	OVERALL DIMENSIONS (in mm)			MOTOR HP	APPROX. WEIGHT (in kg)
			L	B	H		
TAP-PSM-100	100	65	1000	800	1000	3	1000
TAP-PSM-300	300	195	2000	1100	1100	5	1500
TAP-PSM-500	500	325	2500	1200	1300	7.5	2000
TAP-PSM-1000	1000	650	2700	1300	1800	10	2500
TAP-PSM-2000	2000	1300	3200	1400	2300	15	3000
TAP-PSM-5000	5000	3250	3600	1500	2500	25	6000

Customised sizes available on request
 Laboratory model design available

Plough Shear Mixer used in Industries:

- Pharmaceutical
- Nutraceutical
- Food
- Chemical
- Cosmetics

