

'V' BLENDER

Tapasya's 'V' Blender is an intensive mixing system designed specially to handle ordered dry mixing of excipients such as cohesive as well as adhesive powder. This rotating shell V-type blender with no packing glands around the shafts entering the chamber ensure total elimination of cross contamination. The special design ensures minimal attrition when blending fragile granules and is suitable for Pharmaceutical, Nutraceutical, Food & Cosmetic industries.



Features:

- Rotating V-Type Shell with large capacity
- Easy loading & unloading
- Special baffles to increase mixing shear
- Integrated Vacuum loading option available
- Material of construction SS 316L
- Wide Capacity options available from 5 -1200L, with custom made capacities upto 10000L
- Intensifier bar for special applications available
- Dust-free operations when combined with Bin charging system
- Near complete discharge of product material
- No shaft projection; hence no product contamination
- Easy to clean with internal attachments like lump breakers and liquid dispensers



'V' Design for Diffusion Blending



Intensifier Bar with Sprinkle Provision

Benefits For You:

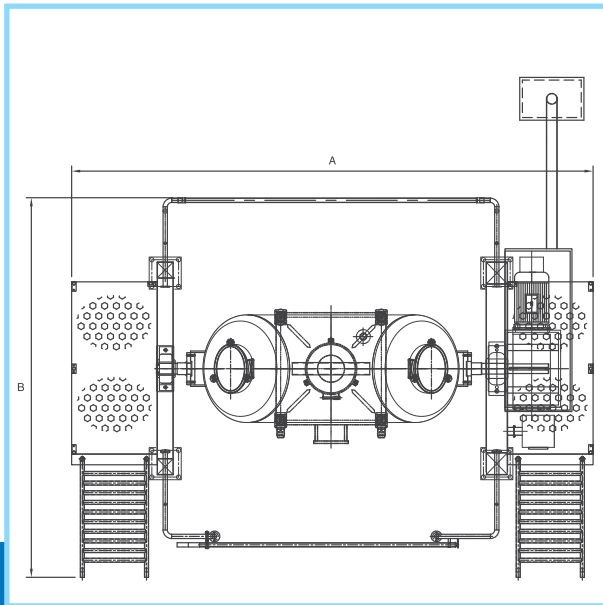
- Ideal for blending dry powders and granules, including fragile material
- Designed for dust-free processing, complete discharge of material with no contamination
- Easy to clean
- Minimum maintenance



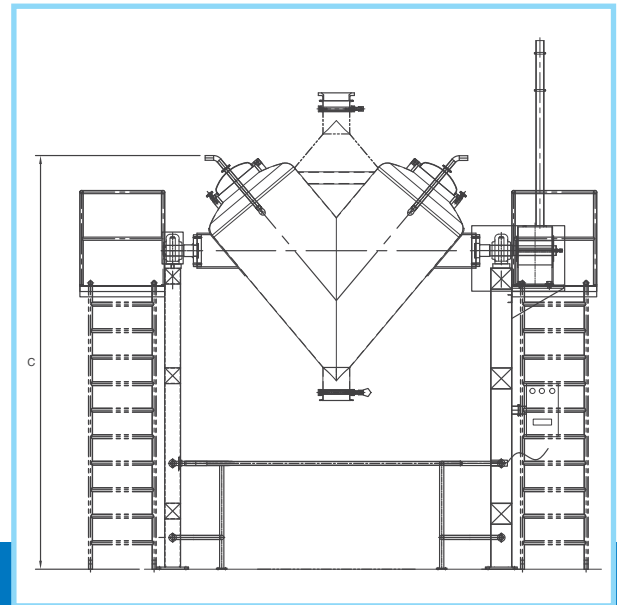
Cantilever Design



Built in Operator Safety



Plan view



Elevation view

Technical Specifications:

MODEL	GROSS CAPACITY (in Liters)	WORKING CAPACITY (in Liters)	OVERALL DIMENSIONS (in mm)			MOTOR HP	APPROX. WEIGHT (in kg)
			L	B	H		
TAP-VB-100	100	70	2300	950	2100	3	800
TAP-VB-300	300	210	2200	1050	2300	3	2000
TAP-VB-500	500	350	2500	1500	3200	5	2600
TAP-VB-1000	1000	700	2900	2700	4300	7.5	3000
TAP-VB-2000	2000	1400	3200	1800	4400	10	4000
TAP-VB-5000	5000	3500	4450	4520	4600	15	5500
TAP-VB-10000	10000	7000	5900	3000	7000	25	7000

Customised sizes available on request
Laboratory model design available

'V' Blender used in Industries:

- Pharmaceutical
- Nutraceutical
- Food