

TRAY DRYER

The Tray Dryer from Tapasya assures you of rapid, high-quality and convenient drying technology, with the added Edge of cGMP feature, viz., rounded contours in all internal surfaces. Our multi-capacity tray dryers find wide applications in Pharmaceutical, Nutraceutical, Food, Chemical, Cosmetic & other allied industries.



Features:

- Covered drives
- Two tier trolley with SS Rollers
- Advanced Controls
- Improved design with double door provision
- Enhanced performance by total insulation
- HEPA Filtered Inlet Air
- Rounded corners and angles
- Easy accessibility of internals for Hygienic cleaning
- Even thermal distribution internally all over the chamber with a variation of just $\pm 2^{\circ}\text{c}$

Benefits For You:

- Designed for easy operations
- Faster drying
- Easy maintenance
- Easy Hygiene maintenance
- High quality and better shelf life of the product



Tray Dryer Chamber



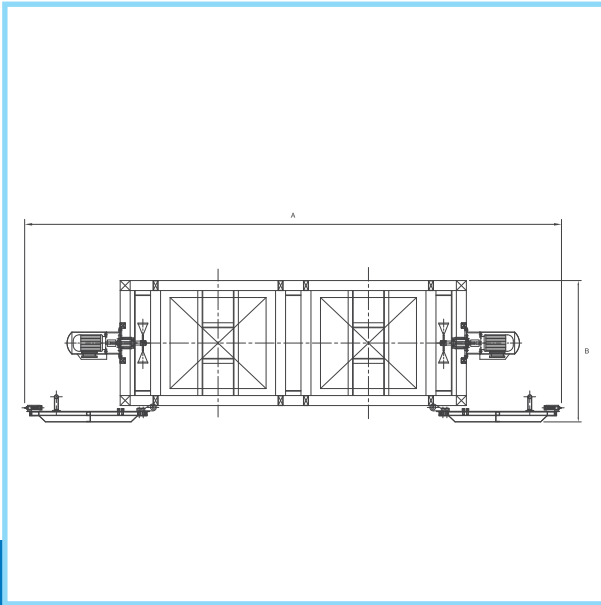
Functional Assembly



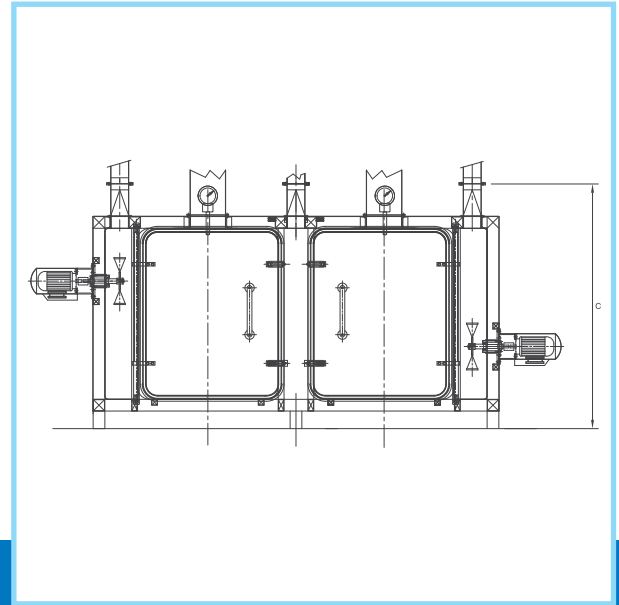
Recipe Management



Tray Trolley



Plan view



Elevation view

Technical Specifications:

MODEL	GROSS CAPACITY (in Liters)	WORKING CAPACITY (in Liters)	OVERALL DIMENSIONS (in mm)			MOTOR HP	APPROX. WEIGHT (in kg)
			L	B	H		
TAP-TD-6	60	24	5350	1300	950	1	80
TAP-TD-12	120	48	950	1300	950	2	120
TAP-TD-24	240	96	1700	1400	2600	3	200
TAP-TD-48	480	192	2550	1400	2600	5	350
TAP-TD-96	960	384	4600	1300	2900	8	500

Customised sizes available on request

Tray Dryer used in Industries:

- Pharmaceutical
- Nutraceutical
- Food
- Chemical
- Cosmetics