

BINDER PREPARATION VESSEL

Tapasya's Binder Preparation Vessel (Paste Preparation Kettle) has been designed uniquely for optimal mixing efficiency so as to ensure a homogeneous mix. The special stirrer in the vessel has been designed to create vortex inside the solvent which enhances the desired solubility of pharmaceutical binder solute into the various solvents.

Due to its unique design the binder solution can be directly transferred into the processing equipment such as high shear mixer granulator, planetary mixers or fluid bed processor.



Features:

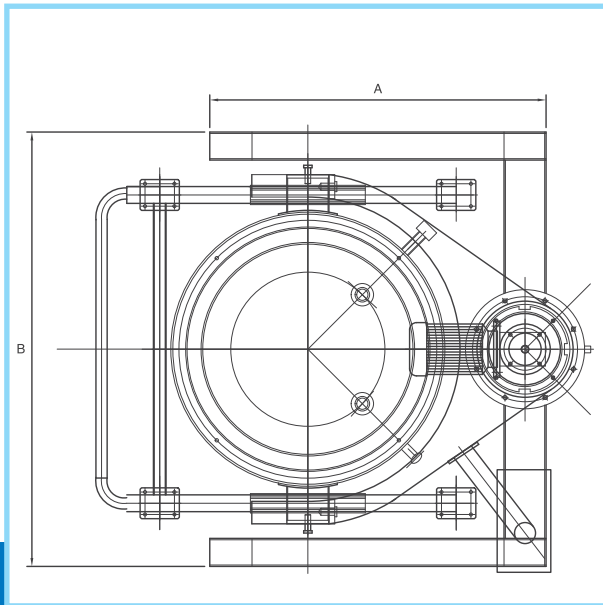
- Designed uniquely for optimal mixing efficiency
- Special stirrer included for homogenous mix
- Controlled temperature exposure with special jacketed bowl
- Variable rotation rate possible
- Custom-made capacity
- Integration of flow rate control assembly into system
- Direct transfer of binder solution to granulation processing equipment
- Cleaning & maintenance easy

Benefits For You:

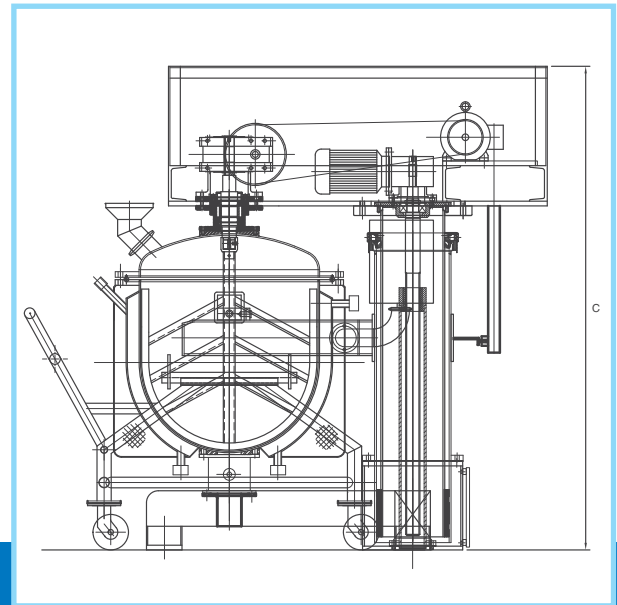
- Optimal mixing efficiency to ensure a homogeneous mix
- Easy handling
- Easy maintenance



Close view of Binder Vessel Lid



Plan view



Elevation view

Technical Specifications:

MODEL	GROSS CAPACITY (in Liters)	WORKING CAPACITY (in Liters)	OVERALL DIMENSIONS (in mm)			MOTOR HP	APPROX. WEIGHT (in kg)
			L	B	H		
TAP-BPV-50	50	40	1100	900	1400	1	100
TAP-BPV-100	100	80	1100	1000	1500	2	150
TAP-BPV-150	150	120	1200	1100	1700	3	200
TAP-BPV-200	200	160	1350	1200	1850	5	250

Customised sizes available on request

Binder Preparation Vessel used in Industries:

- Pharmaceutical
- Nutraceutical
- Food
- Cosmetics