

# ELEVATOR

Tapasya's Elevator device is custom designed to lift and position any type of container involved in solid dosage manufacturing and also for liquid compounding operation. This system ensures dust free transfer of in-process materials enhancing cGMP standard, and simultaneously eliminating laborious manual operation.

Elevator operates by engaging the container to a semi-circular / single hook / fork type / platform, lift arm attached to a column. The container is then raised or lowered by hydraulic system with built in safety parameters. The four point contact bearing on the column base with a low resistance factor makes it possible to position loaded container by hand radially, to discharge the contents in the process equipments.

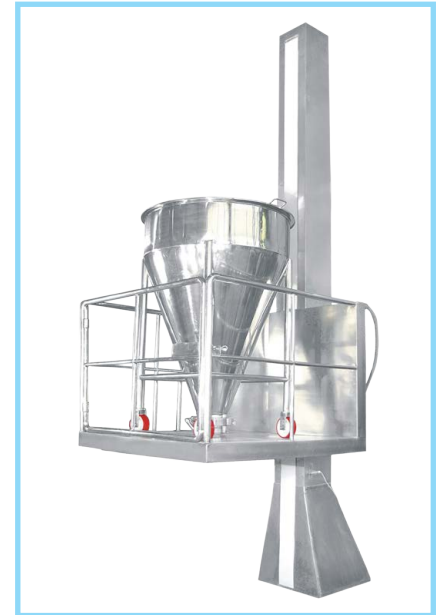


## Features:

- Closed Column construction with floor and ceiling fastening
- Also available in self standing pivoted execution
- Material of construction is SS clad MS column/SS column
- Adjustable mount stop
- Double acting in-house manufactured Hydraulic Cylinder with 3 stage Fail safe seals
- Cylinder designed for an operating pressure of 100 BAR & has a Hose burst protection system
- Solid Machined trolley made out of 30 MM Machined Frame
- 2 no's 8 MM Ø SS 304 Wire ropes instead of chain
- Lift Lock for safety provided
- Imported Mono Block Power Pack
- Control Cabling and rigid piping included
- CE Certified meeting 19 EN specifications
- Built-in provision for the Vibratory Sifter/ Mill to be electrically connected
- Mechanical & Pneumatic locking for Safety



Multipurpose Material Handling



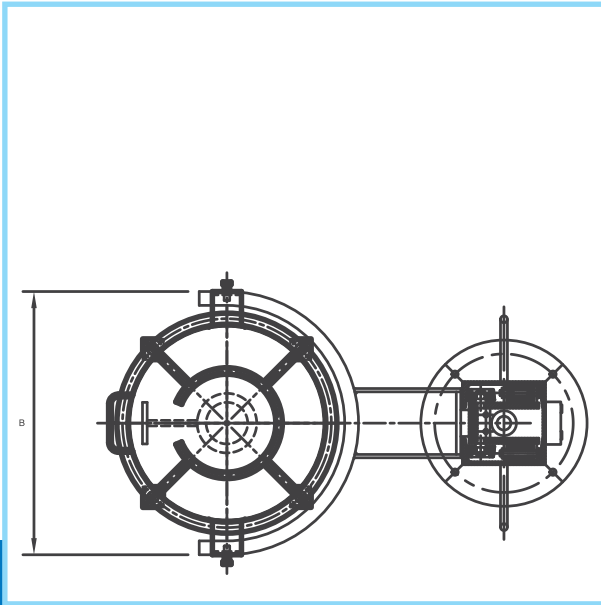
Platform Lift for Multistorey Handling

## Benefits For You:

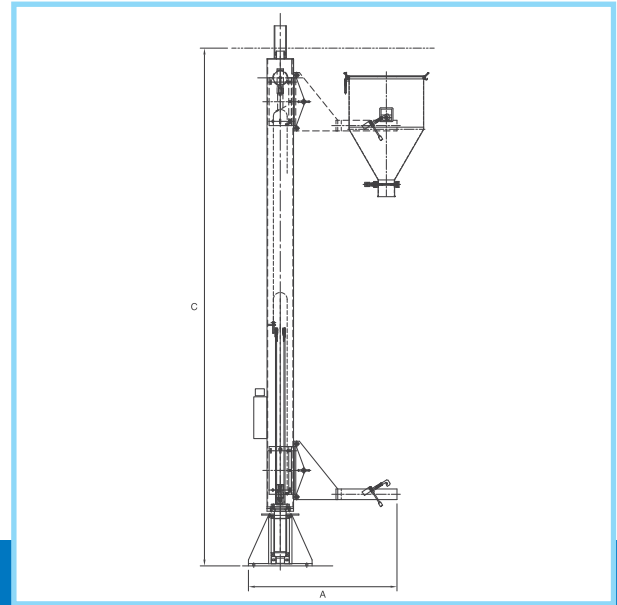
- Dust-free & leak-free transfer operations
- Eliminates manual handling & tedious scooping
- Low maintenance
- Designed to European Safety Standards & cGMP standards
- Varied applications including charging of Sifters, RMG, Compression machine, Packing machine, blenders, etc.
- Variety of Optional features available including full stainless steel construction, Height > 4 mtrs, Rigid design, Mobile design upto 100 kgs load



Mobile Elevator



Plan view



Elevation view

### Technical Specifications:

MODEL	GROSS CAPACITY (in Liters)	WORKING CAPACITY (in Liters)	OVERALL DIMENSIONS (in mm)		MOTOR HP	APPROX. WEIGHT (in kg)
			L	B		
TAP-LPD-100	100	100	1100	1800	1.5	600
TAP-LPD-300	300	300	1100	1800	1.5	600
TAP-LPD-500	500	500	1100	2200	1.5	600
TAP-LPD-1000	1000	1000	1100	2500	1.5	800
TAP-LPD-1500	2000	1500	1100	2800	1.5	800

Customised sizes available on request

### Elevator used in Industries:

- Pharmaceutical
- Nutraceutical
- Food
- Chemical
- Cosmetics