

# DELUMPER

Tapasya's Delumper is designed to handle through processing applications in varied industries including, chemical, plastics, food, nutraceuticals and pharmaceutical industry. It is a versatile size reduction equipment suitable for wet, dry, hard, soft, resinous, brittle or sticky material that renders them free flowing.



## Features:

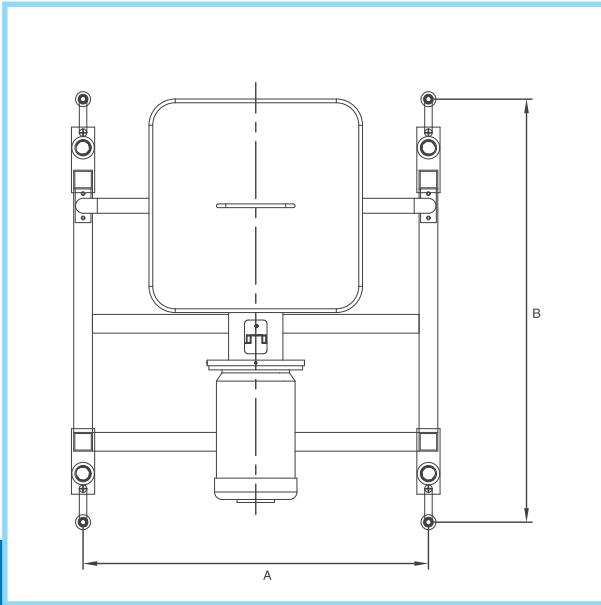
- Cost effective, rapid de-agglomeration for varied industries
- Ultra sanitary design for Pharmaceutical and Nutraceutical applications
- Handles homogeneous or heterogeneous materials, dry powders, resinous, hard or soft agglomerates without degrading the product or overheating the product or producing fines
- Powerful crushing capabilities, with option of increasing shaft length and number of blades
- Engineered to fit into open or close systems
- Material loading by gravity or integrated with vacuum transfer line for cost efficient high throughput
- Specially designed delumper blades driven using cantilevered drive to execute positive once-through chopping action
- Eliminates blockages in further processing of material.
- Easy cleaning & maintenance
- Highly polished surfaces
- cGMP compliant design
- Can be installed on a platform or mobile structure

## Benefits For You:

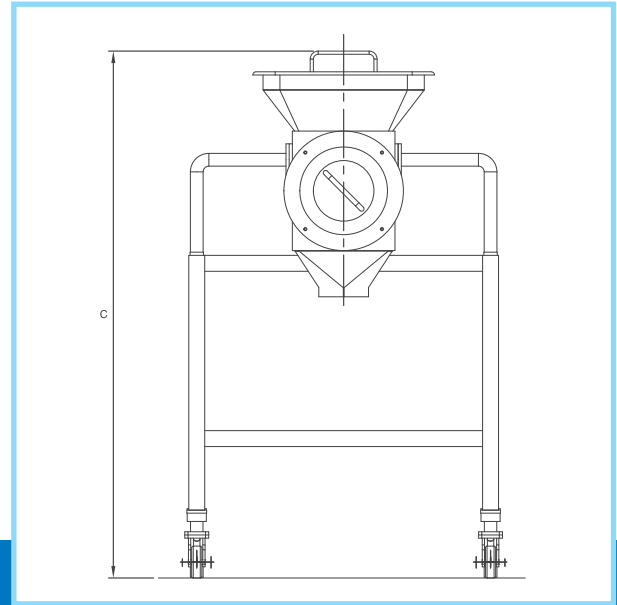
- Enables cost-effective, rapid de-agglomeration of variety of material
- Easy maintenance
- cGMP compliant



Breaker Blades on Rotating Shaft



Plan view



Elevation view

### Technical Specifications:

MODEL	GROSS CAPACITY (in kg)	WORKING CAPACITY (in kg)	OVERALL DIMENSIONS (in mm)			MOTOR HP	APPROX. WEIGHT (in kg)
			L	B	H		
TAP-DL-250	250	250	1000	1200	1700	5	400
TAP-DL-500	500	500	1200	1300	1900	7.5	500

Customised sizes available on request

### Delumper used in Industries:

- Pharmaceutical
- Nutraceutical
- Food
- Chemical