

SIFTER CUM MULTI MILL

Tapasya's Uni-Granulator is a revolutionary granule sifting cum milling system, that redefines traditional granule or powder sifting process.

It ensures uniform sizing of dried granules and enables processing with negligible product loss.



Features:

- High productivity with an output capacity of 4 to 10 Kgs / minute
- Portable and compact design, mounted on a sturdy SS frame
- Sieve drums available in 4 to 40 mesh sizes
- Continuous Feed and Product discharge for Dust free transfer
- Vibration free and Soundless design
- Tool less design for easy handling
- Meets latest cGMP Standards
- Easy Dismantling, Cleaning and Reassembling within 10 to 15 min
- Turbo Sifter with 10 bar compliance for specialised process available

Benefits For You:

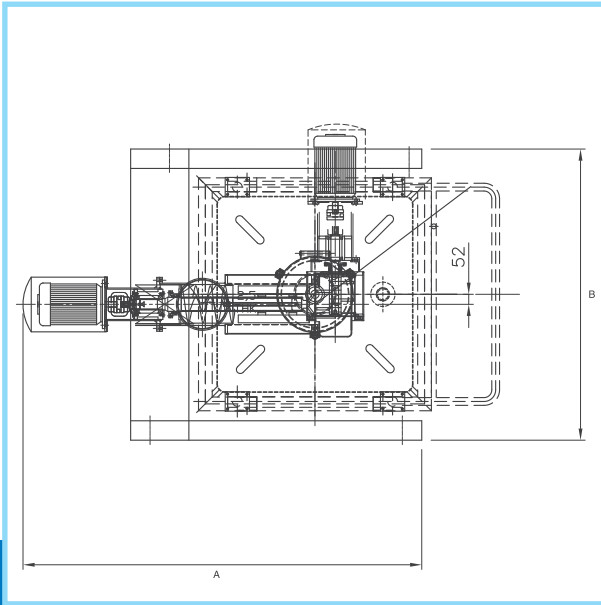
- Assured Output of Granules of Uniform size
- High output
- Easy to handle
- Easy Maintenance
- Dust-free operations that meet cGMP requirements
- Advanced design with no vibration and noiseless



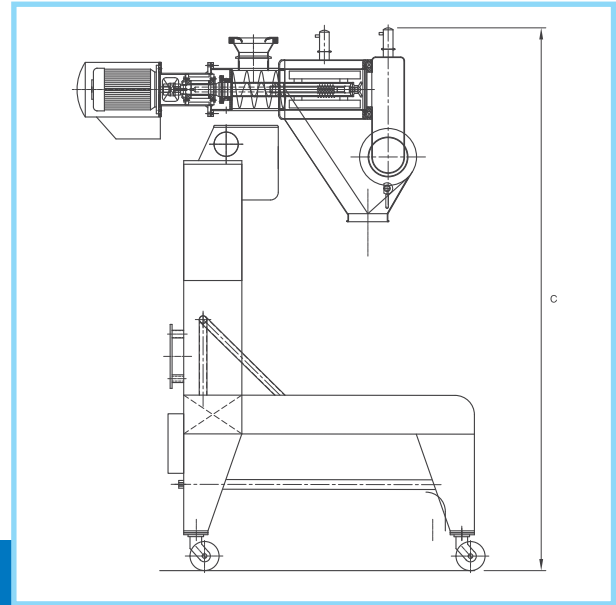
Knife and Hammer Blade



Quick Assembly and Disassembly



Plan view



Elevation view

Technical Specifications:

MODEL	GROSS CAPACITY (in Kg)	WORKING CAPACITY (in Kg)	OVERALL DIMENSIONS (in mm)			MOTOR HP	APPROX. WEIGHT (in kg)
			L	B	H		
TAP-SCMM-250	250	250	1030	1350	1700	3	800
TAP-SCMM-500	500	500	1260	1950	2300	5	1200

Customised sizes available on request
10 bar compliant equipment available

Sifter Cum Multi Mill used in Industries:

- Pharmaceutical
- Nutraceutical