

VIBRATORY SIFTER

Based on the 'Gyro' principle, Tapasya's Vibratory Sifter meets the requirements of 'Dust-free Sifting' of the Pharmaceutical, Nutraceutical, Food, Chemical, Cosmetic and other allied industries. The complete vibrating assembly has a specially designed gyro motor that is fitted with top & bottom eccentric weights designed as per required centrifugal force. The sifter is designed for convenient usage & maintenance.



Features:

- cGMP Model with contact parts in SS 316 & Non-Contact Parts in SS 304
- Amplitude of Vibratory Motion adjustable
- SS 316 Hood with 200 mm dia Nozzle for dust free charging of Powders
- Easy dismantling, cleaning & assembling through quick opening SS 316 clamps
- Portable mounted on sturdy Castor Wheels
- Vibrating assembly isolated by rugged springs
- Dust-free design
- Independent Jacks for lifting the machine off the floor for effective sifting
- Silicon Bonded Integrated Mesh and Silicon Balls for Lump Breaking & Mechanical cleaning
- Provision for advanced Ultrasonic mesh cleaning attachment
- CE Certified

Benefits For You:

- Dust-free sifting
- Design compliant with cGMP requirements
- Easy to handle
- Multiple mesh size available to suit your individual processing needs



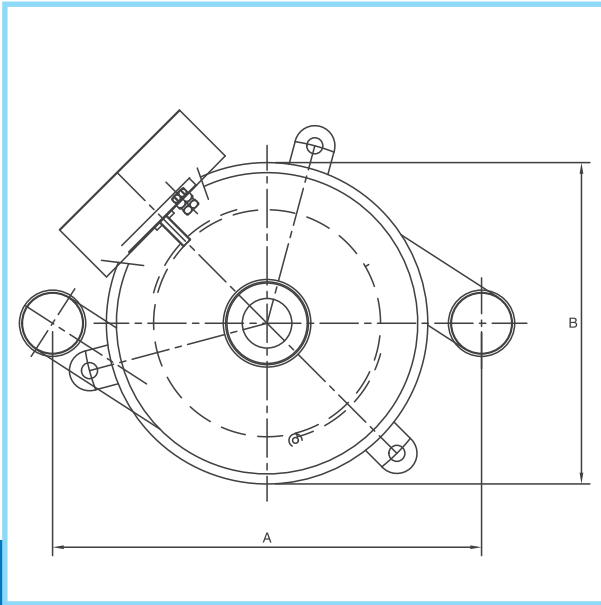
Antistatic Mesh



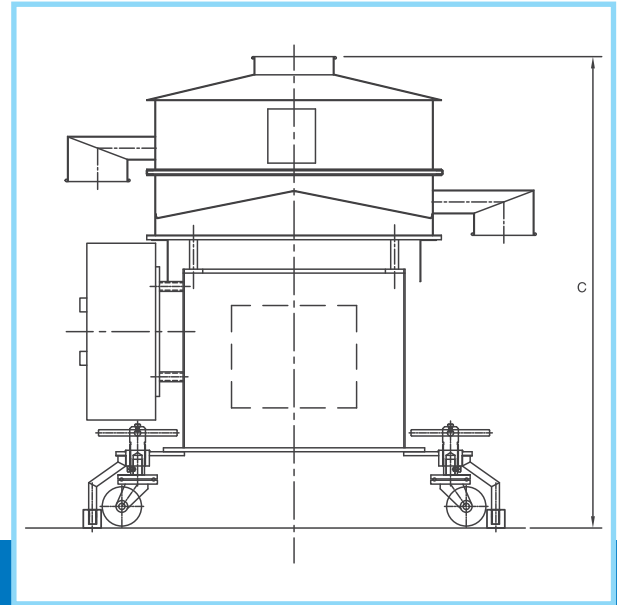
Food Grade Gasket for Dust Free Charging



Eccentric Motor for Controlled Vibration



Plan view



Elevation view

Technical Specifications:

MODEL	OVERALL DIMENSIONS (in mm)			MOTOR HP	APPROX. WEIGHT (in kg)
	L	B	H		
TAP-VS-12	400	400	1000	0.25	50
TAP-VS-24	700	700	1000	0.25	80
TAP-VS-30	850	850	1250	0.5	120
TAP-VS-36	1000	1000	1600	0.5	150
TAP-VS-48	1300	1300	1850	1	180
TAP-VS-60	1600	1600	2000	1.5	220
TAP-VS-72	1800	1800	2200	2	260

Customised sizes available on request
Laboratory model design available

Vibratory Sifter used in Industries:

- Pharmaceutical
- Nutraceutical
- Food
- Chemical
- Cosmetics