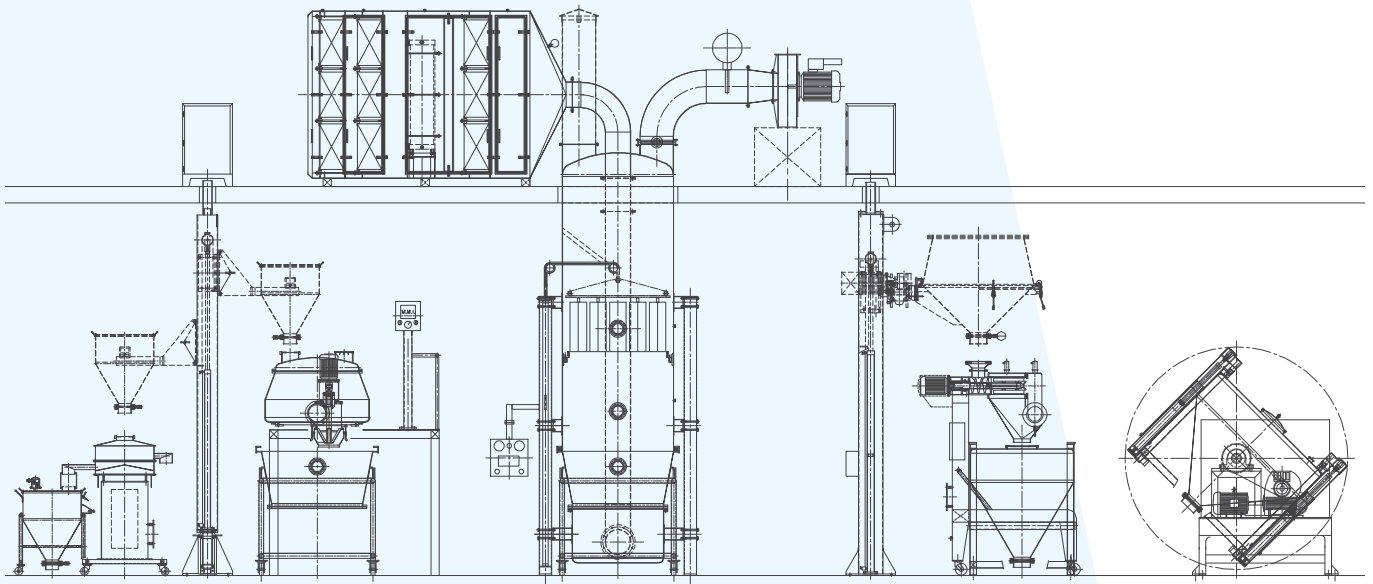


# INTEGRATED SYSTEMS

## GRAVITY TRANSFER SYSTEM

The most traditional yet the most robust system in Granulation suites which utilizes material handling system for product transfer. The system is particularly beneficial where the ingredients are dosed individually with good flow rate. The particles follows the integrated granulation track and hence results in minimal human intervention with qualitative improvement.

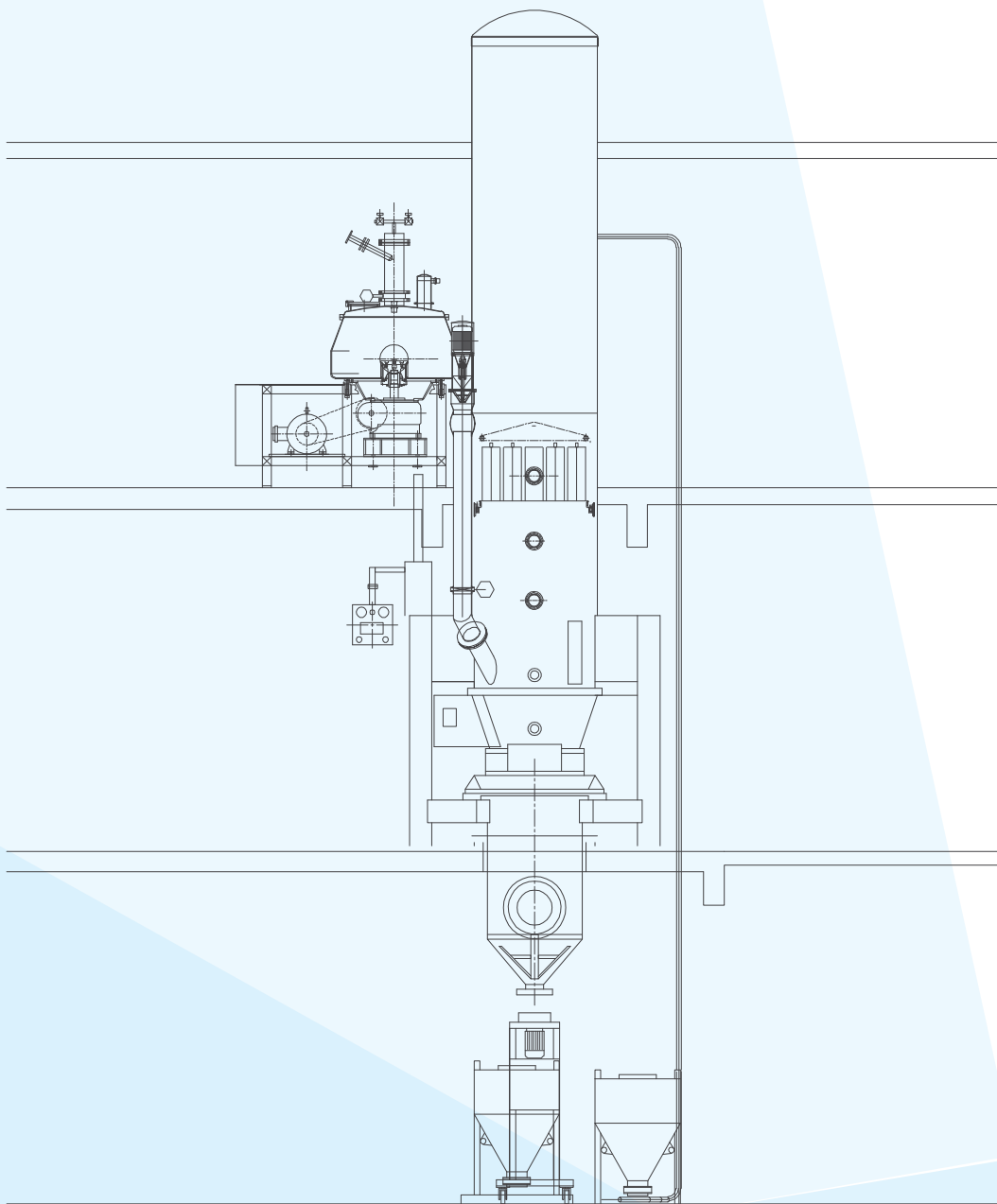


**Granulation Suites — Gravity Transfer System**

# INTEGRATED SYSTEMS

## MULTI-LEVEL TRANSFER SYSTEM

Downstream approach with smaller footprint every floor, this Suite best suited for much specialised operation where the ordered process is the requirement for larger capacity range. The equipments are integrated with each other through the levels with automated systems for automatic operation of the Suite. The particles follow the integrated granulation track with minimum travel distance to achieve and maintain the integrity of the process. Critical parameters like cleaning validation can be achieved easily.

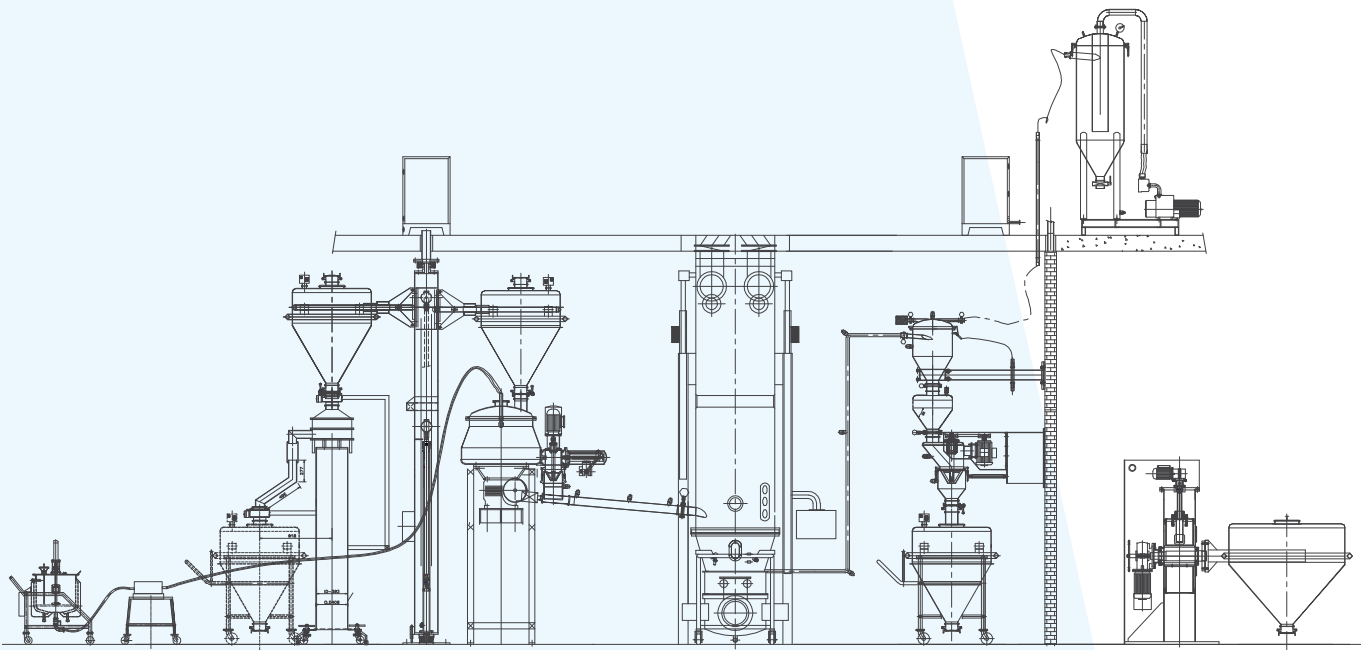


Granulation Suites — Multi-Level Transfer System

# INTEGRATED SYSTEMS

## VACUUM TRANSFER SYSTEM

Vacuum transfer suite is the Quick, direct & the most efficient system which utilizes vacuum system to transfer product. Equipments in the suite are Integrated with each other with special fitments to achieve and maintain the media(Vacuum) of material transfer which ensures shorter batch times & more productivity.



**Granulation Suites — Vacuum Transfer System**